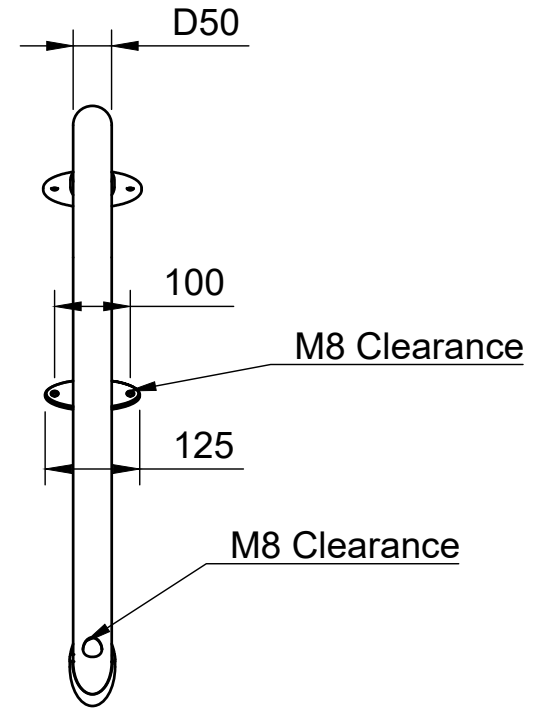
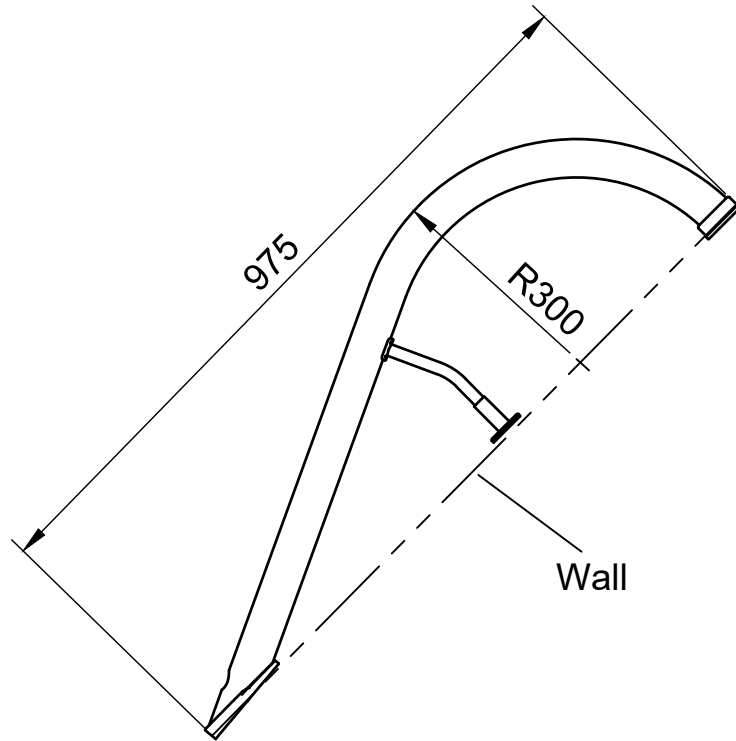


"J" Rail Nominal Dimensions & Weight



Nominal weight = 3.5kgs