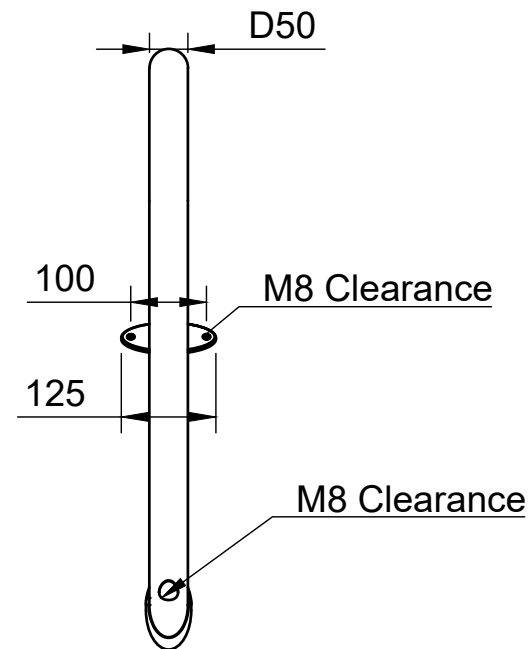
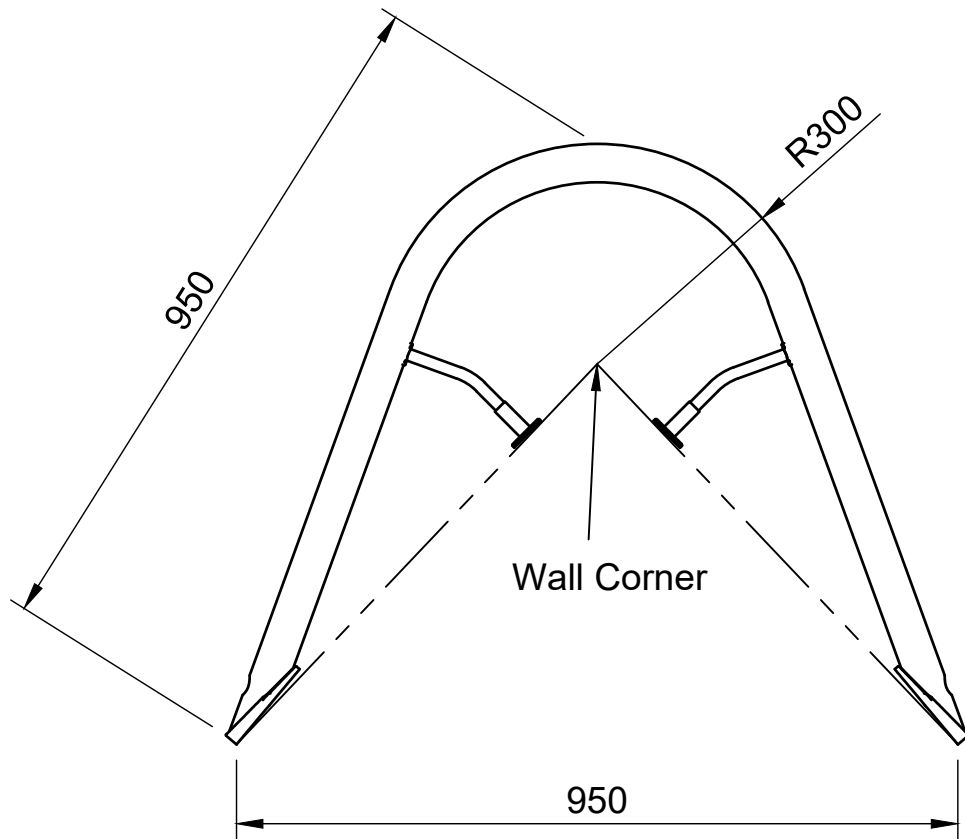


# "A" Rail Nominal Dimensions & Weight



Nominal weight = 4kgs